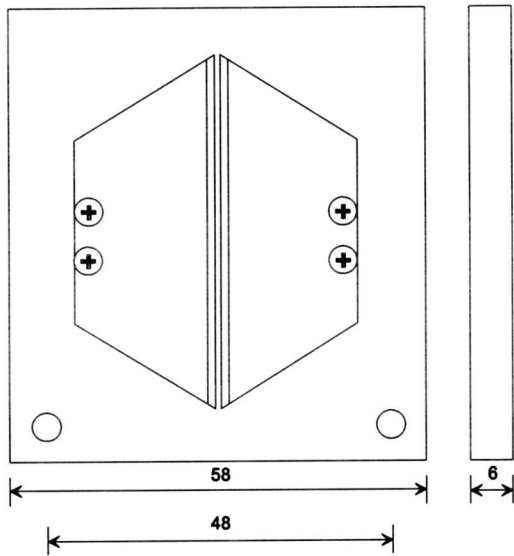
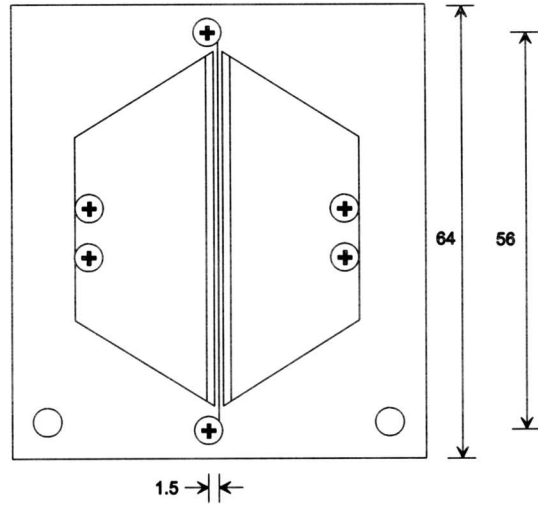


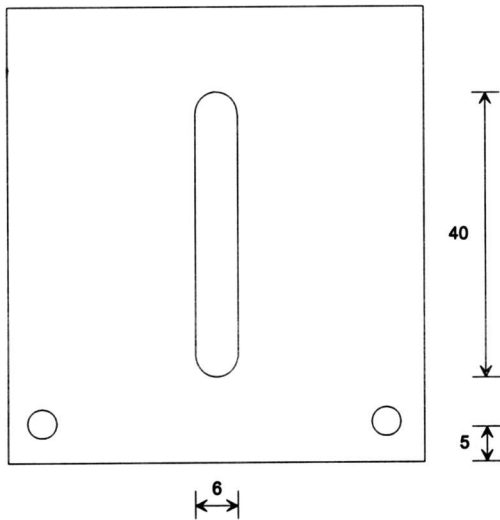
Single Slit



Double Slit



Cut-Out Detail



Single Slit and Double Slit Plans

Material: 6mm Black Perspex
Blades: 'Stanley' No 1991 51mm
Threads: M3 for retaining screws, M4 for mounting holes.

All measurements in millimeters.

Recommended to use new blades to ensure sharp edge is not nicked.

Double slit is made by inserting a fine wire between the blades. The wire is then held by the retain screws on the double slit plate. Wire must be held tight. The Blades are adjusted to a fine gap. Ensure both gaps are even on either side of wire.

